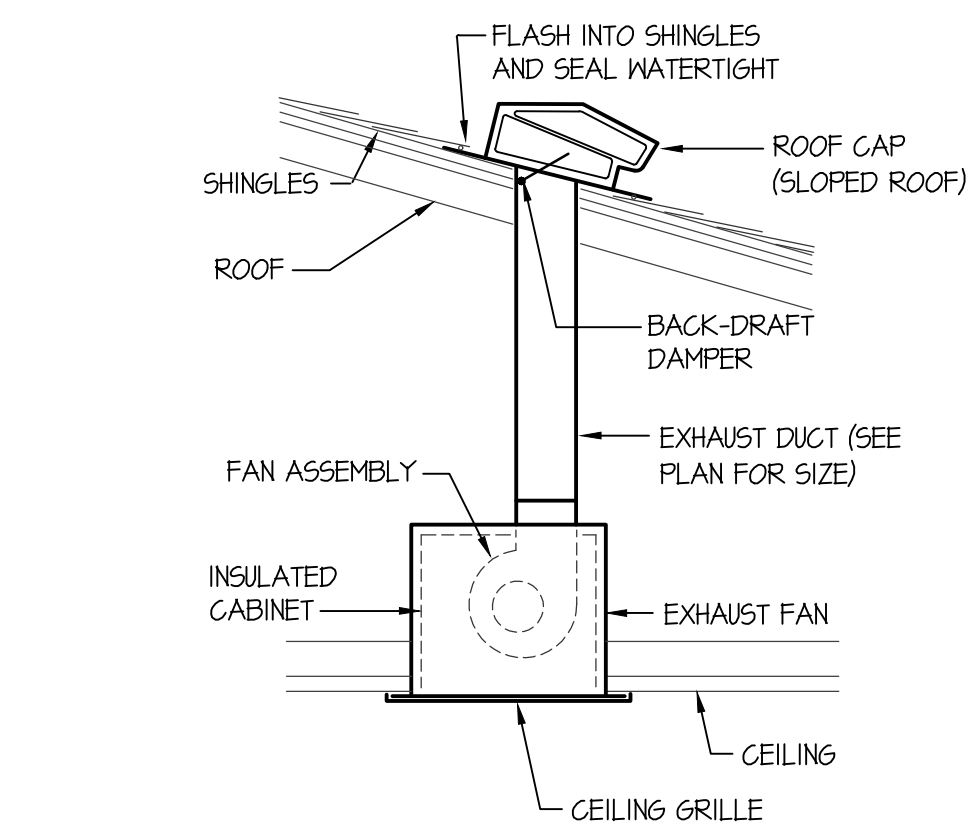
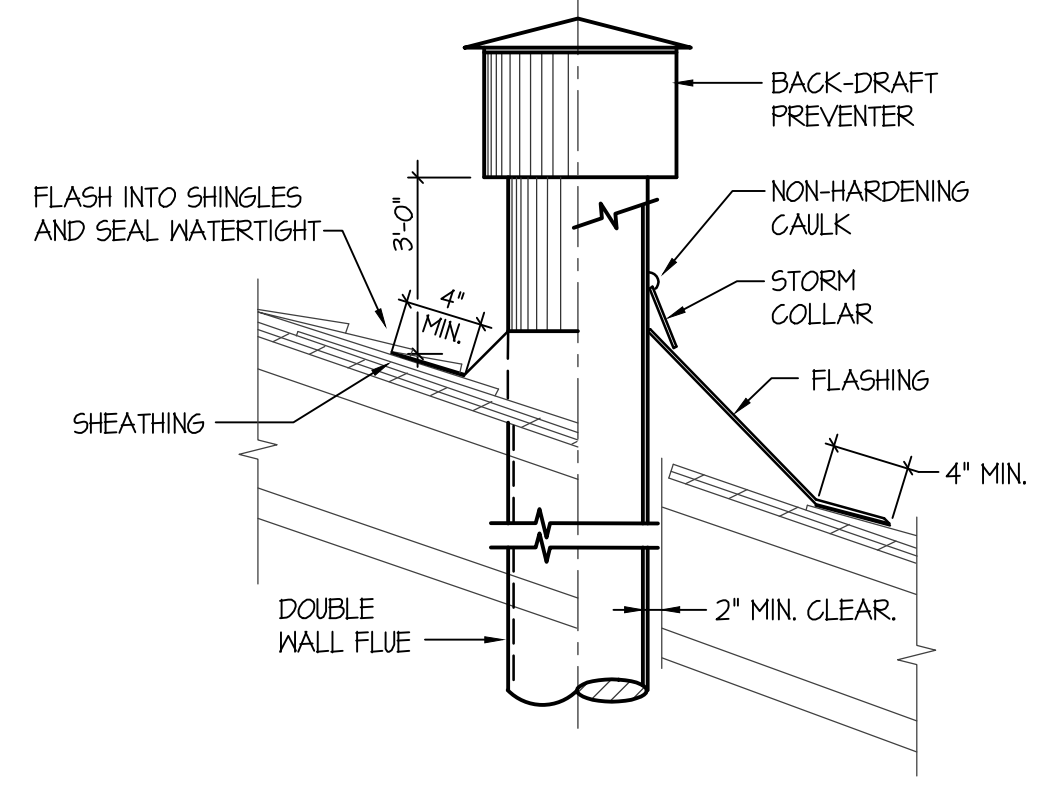


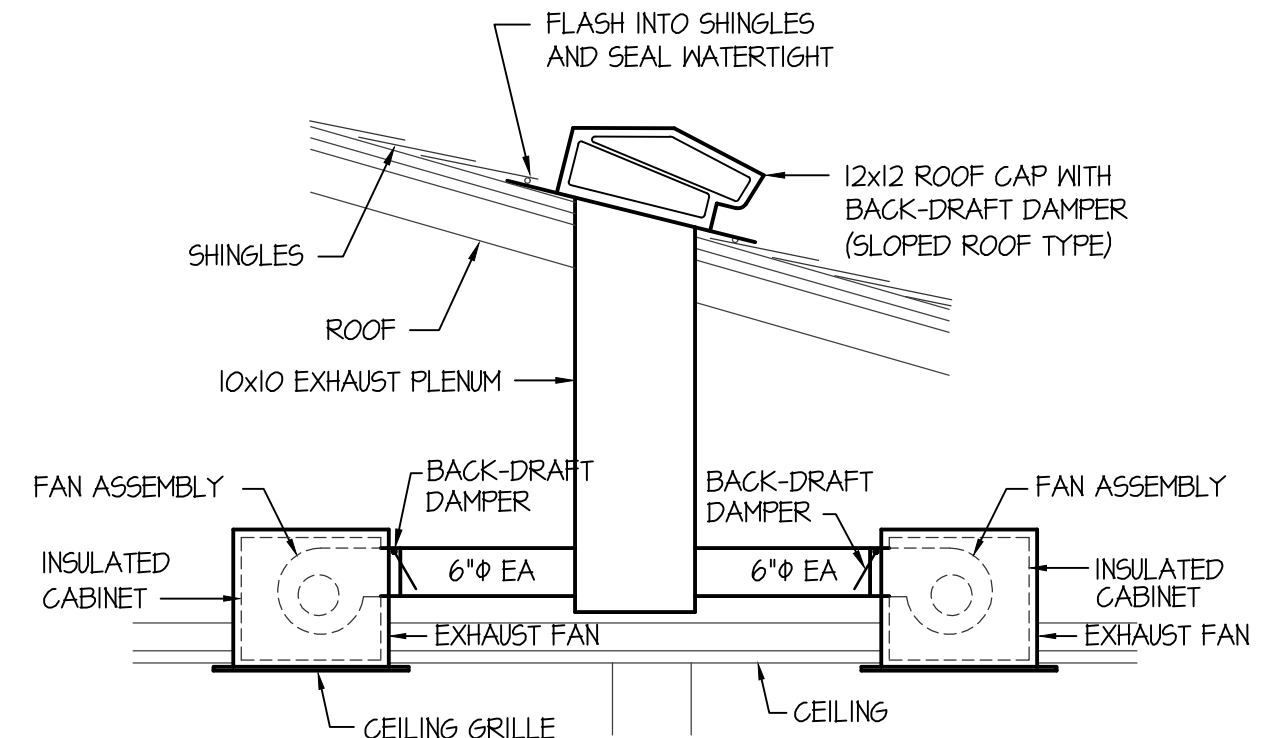
ROUND DIFFUSER DETAIL
NO SCALE



CEILING MOUNTED EXHAUST FAN DETAIL
NO SCALE



FLUE THRU ROOF DETAIL
NO SCALE



CEILING MOUNTED EXHAUST FAN DETAIL
NO SCALE

GRILLE AND REGISTER SCHEDULE										
SYM.	TYPE	SIZE	CFM RANGE	THROW PATTERN	CONSTR.	FINISH	BRANCH DUCT	BALANCING DAMPER	FIRE DAMPER	REMARKS
D-1 CFM	DUCT	8"	80-200	NA	STEEL	ALUM	8"	YES	NA	PRICE MODEL RCD
D-2 CFM	CEILING	10x10	150-350	⊠	STEEL	ALUM	YES	YES	NA	PRICE MODEL SMD
D-3 CFM	CEILING	10x10	100-350	⊠	STEEL	ALUM	YES	YES	NA	PRICE MODEL SMD
D-4 CFM	CEILING	8x8	100	⊠	STEEL	ALUM	YES	YES	NA	PRICE MODEL SMD
RG-1	DUCT	16x16	1200	NA	STEEL	ALUM	16x16	NA	NA	PRICE MODEL 535
RG-2	RETURN GRILLE	10x10	150-350	NA	STEEL	WHITE	NA	NA	NA	PRICE MODEL 535
RC-1	ROOF CAP	8"	200-240	NA	ALUM	---	NA	NA	NA	TWIN CITY MODEL 634P WITH INSECT SCREEN & BACK-DRAFT DAMPER
TG-1	HIGH SIDEWALL	14x6	200	NA	STEEL	BLACK	NA	NA	NA	PRICE MODEL 535

EXHAUST FAN SCHEDULE										
SYM.	TYPE	C.F.M.	S.P.E.	WATTS	CHAR.	R.P.M.	CONTROL	REMARKS		
EF-1	CEILING MOUNTED	200	25	127	120/60/1	760	SEE ELEC.	TWIN CITY MODEL T200 WITH BACKDRAFT DAMPER. 8" EXHAUST DUCT TO SLOPED ROOF CAP.		
EF-2	CEILING MOUNTED	200	25	127	120/60/1	760	SEE ELEC.	TWIN CITY MODEL T200 WITH BACKDRAFT DAMPER. 8" EXHAUST DUCT TO SLOPED ROOF CAP.		
EF-3	CEILING MOUNTED	120	25	100	120/60/1	750	SEE ELEC.	TWIN CITY T150 WITH BACKDRAFT DAMPER. 6" EXHAUST DUCT.		
EF-4	CEILING MOUNTED	120	25	100	120/60/1	750	SEE ELEC.	TWIN CITY T150 WITH BACKDRAFT DAMPER. 6" EXHAUST DUCT.		
EF-5	CEILING MOUNTED	120	25	100	120/60/1	750	SEE ELEC.	TWIN CITY T150 WITH BACKDRAFT DAMPER. 6" EXHAUST DUCT.		
EF-6	CEILING MOUNTED	120	25	100	120/60/1	750	SEE ELEC.	TWIN CITY T150 WITH BACKDRAFT DAMPER. 6" EXHAUST DUCT.		

SEAL

REV	DATE	DESCRIPTION
	09-11-19	PERMITTING SET

New Tenant Improvement For:
THE RISING CHURCH
10702 FRONTAGE ROAD
SOUTH JORDAN, UT 84095
MOUNTAIN WEST ARCHITECTS | 543 25TH ST. - OGDEN, UT 84401 PH: 801-388-6052
www.mountainwestarchitects.com

PROJECT:

SHEET TITLE:
MECHANICAL DETAILS & SCHEDULES

SHEET NUMBER:

M201

DO NOT SCALE DRAWING

Engineered Systems Associates
1355 EAST CENTER
POCATELLO, IDAHO 83201
PHONE: (208) 233-0501
FAX: (208) 233-0529
EMAIL: eso@engsystems.com
ESA JOB NUMBER: 19059